

第6回
東アジア競技大会ソフトテニス競技

● 10月10日～14日 ● 天津テニスセンター

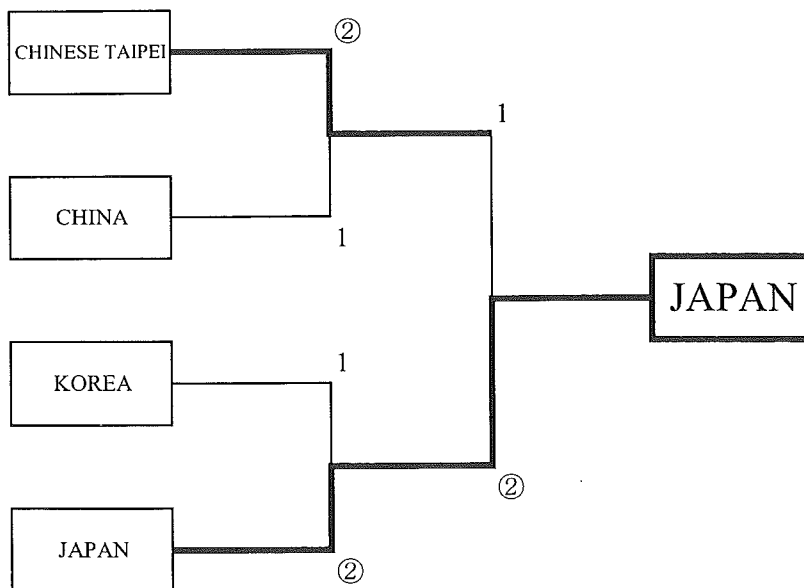
Men's Team Event

1st Stage

	Group-A	TPE	KOR	MGL	Rank
1	Chinese Taipei		②	③	1
2	Korea	1		③	2
3	Mongolia	0	0		3

	Group-B	JPN	CHN	PRK	Rank
4	Japan		③	③	1
5	China	0		③	2
6	PRK	0	0		3

2nd Stage



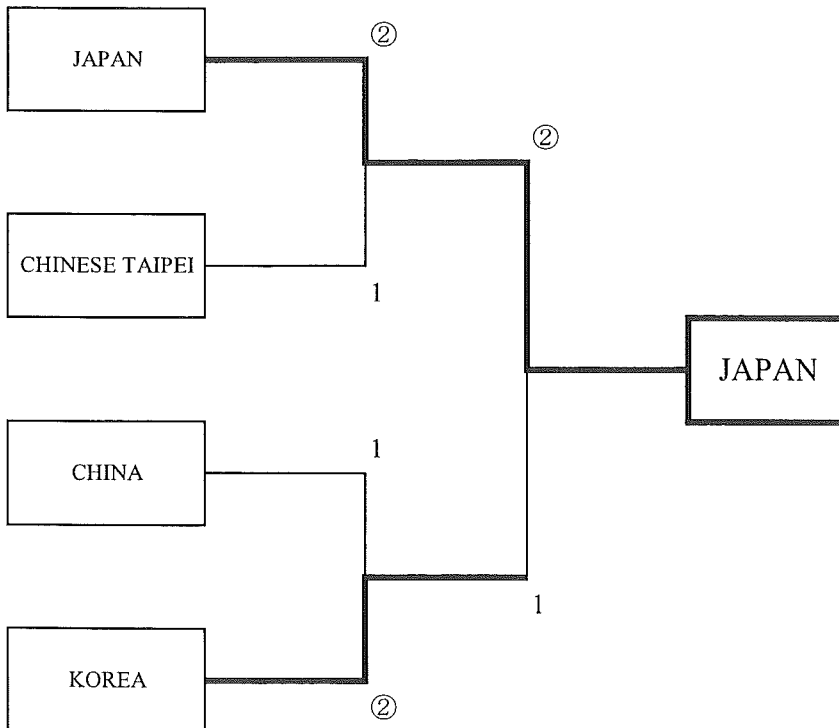
Women's Team Event

1st Stage

	Group-A	JPN	CHN	MGL	Rank
1	Japan		②	③	1
2	China	1		③	2
3	Mongolia	0	0		3

	Group-B	TPE	KOR	PRK	Rank
4	Chinese Taipei		0	②	2
5	Korea	③		③	1
6	PRK	1	0		3

2nd Stage



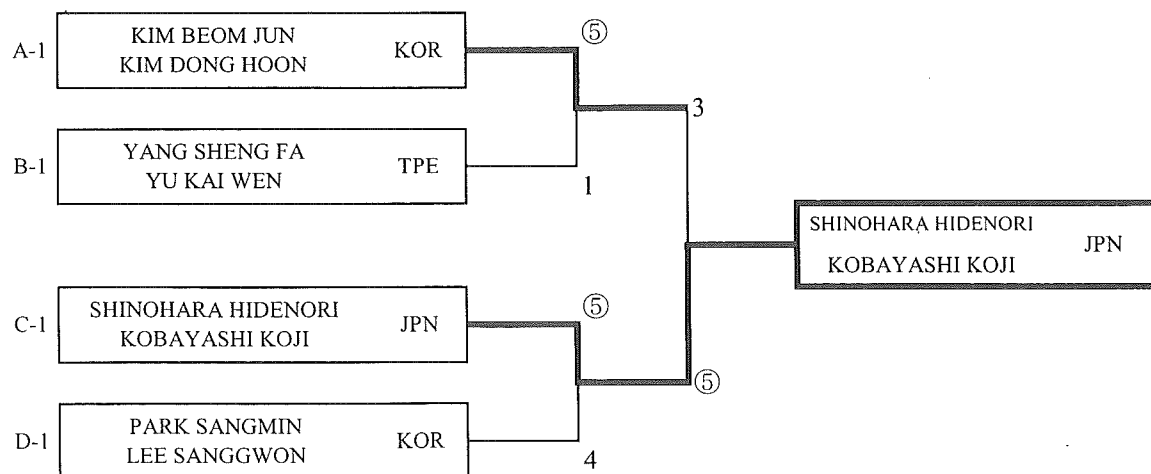
Men's Doubles

Group-A			KOR	JPN	PRK	Rank
1	KIM BEOM JUN KIM DONG HOON	KOR	/	⑤	⑤	1
2	SHIBATA SHOHEI MASUDA KENTO	JPN	2	/	⑤	2
3	PAK KYONG CHOL KIM SONG CHOL	PRK	0	0	/	3

Group-B			MGL	TPE	CHN	Rank
4	UCHIRSAIKHAN BAYASGALANT ALTANKHUYAG DAMDIN	MGL	/	0	3	3
5	YANG SHENG FA YU KAI WEN	TPE	⑤	/	⑤	1
6	SHI BO JIAO YANG	CHN	⑤	0	/	2

Group-C			JPN	MGL	CHN	Rank
7	SHINOHARA HIDENORI KOBAYASHI KOJI	JPN	/	⑤	⑤	1
8	GANTULGA ENKHTUVSHIN BOLORTUYA ENKHJIN	MGL	2	/	1	3
9	PAN YIFU JIAO YANG	CHN	4	⑤	/	2

Group-D			TPE	KOR	PRK	Rank
10	LIN SHIH SHUN LIN SHENG FA	TPE	/	4	⑤	2
11	PARK SANGMIN LEE SANGGWON	KOR	⑤	/	⑤	1
12	RI CHUNG IL HAN SONG GUK	PRK	0	0	/	3



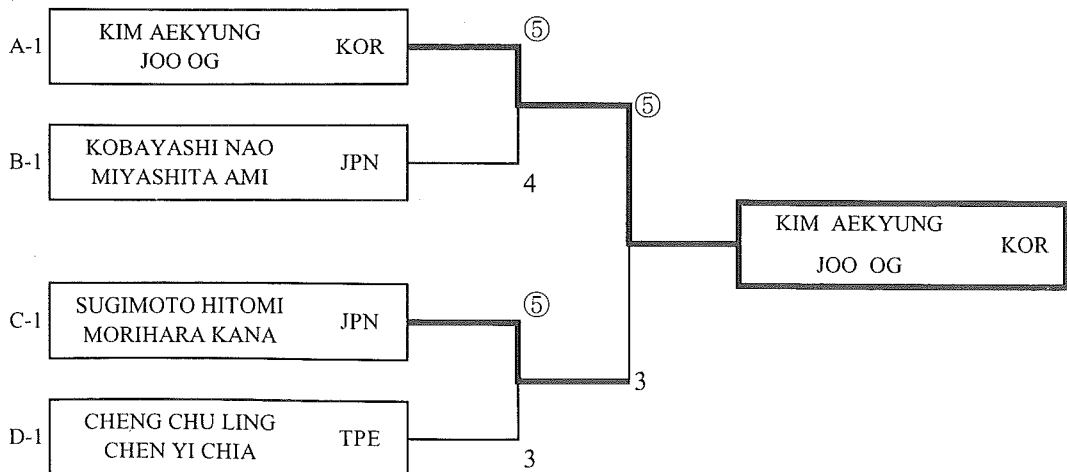
Women's Doubles

Group-A			KOR	PRK	MGL	Rank
1	KIM AEKYUNG JOO OG	KOR	/	⑤	⑤	1
2	PAK JIN HYANG JON MYONG SUK	PRK	1	/	⑤	2
3	SUGAR GANCHIMEG MUNGUNTSETSEG ANUDARI	MGL	0	1	/	3

Group-B			TPE	JPN	CHN	Rank
4	CHIANG WAN CHI CHANG WEN HSIN	TPE	/	3	⑤	2
5	KOBAYASHI NAO MIYASHITA AMI	JPN	⑤	/	⑤	1
6	CHEN HUI ZHOU NIUXUAN	CHN	3	2	/	3

Group-C			JPN	KOR	PRK	Rank
7	SUGIMOTO HITOMI MORIHARA KANA	JPN	/	⑤	⑤	1
8	YOON SOOJUNG KIM BOMI	KOR	1	/	⑤	2
9	KIM MI HYANG RI JIN A	PRK	0	0	/	3

Group-D			TPE	CHN	MGL	Rank
10	CHENG CHU LING CHEN YI CHIA	TPE	/	⑤	⑤	1
11	XIN YANI ZHAO LEI	CHN	3	/	⑤	2
12	ENKHBAATAR SOLOGO BULGAN NOROVSUREN	MGL	0	1	/	3



Men's Singles

Group-A		KIM D	SHINOHARA H	LIN SC	Games	Points	Rank
1	KIM D KOR		④	④			1
2	SHINOHARA H JPN	0		④			2
3	LIN SC TPE	1	2				3

Group-B		HAN SG	LIN SF	SHIBATA S	LEE S	Games	Points	Rank
4	HAN SG PRK		④	④	3			1
5	LIN SF TPE	0		④	④			2
6	SHIBATA S JPN	2	3		1			4
7	LEE S KOR	④	0	④				3

Group-C		LIN YT	PAN YF	BOLORTUYA E	KOBAYASHI K	Games	Points	Rank
8	LIN YT TPE		④	④	④			1
9	PAN YF CHN	0		0	④			4
10	BOLORTUYA E MGL	2	④		1			3
11	KOBAYASHI K JPN	2	3	④				2

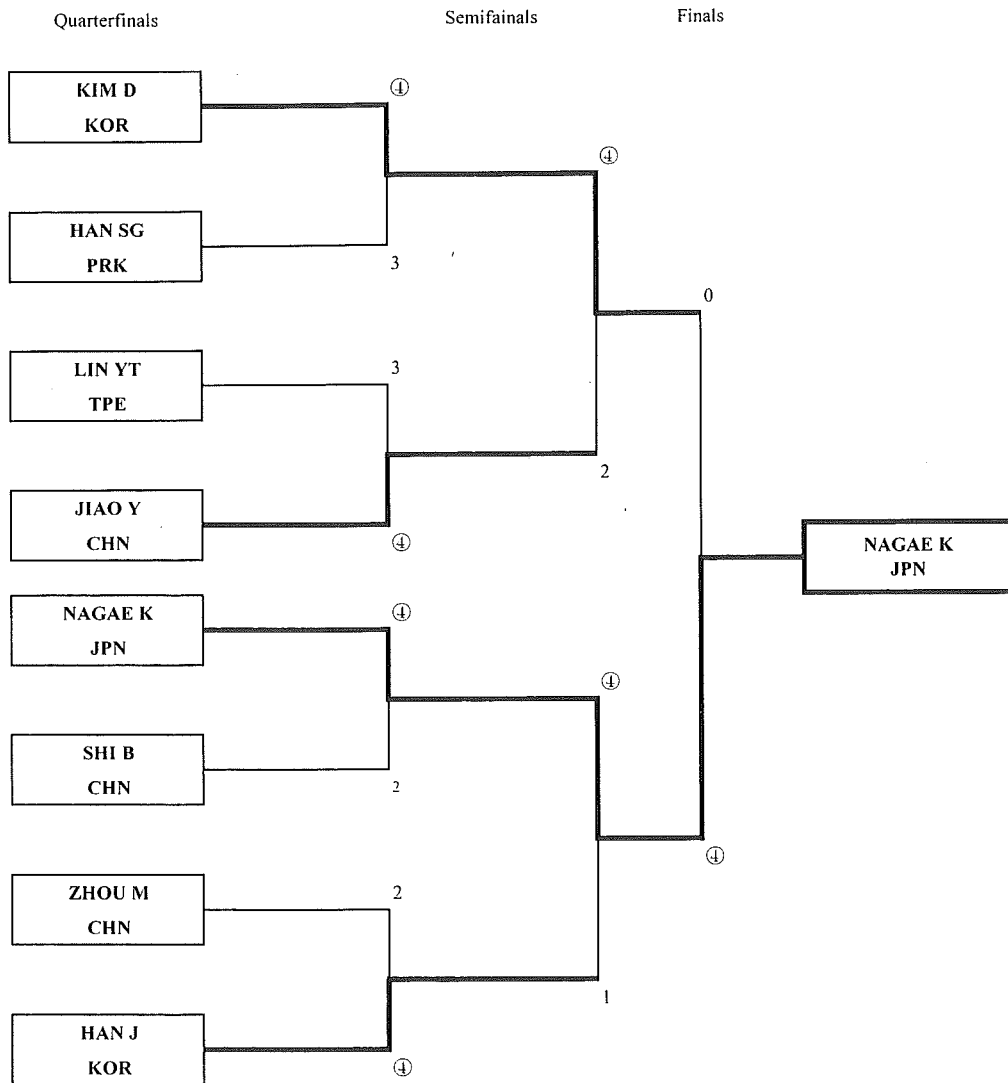
Group-D		PRK	CHN	MGL	Games	Points	Rank
12	KIM SC PRK		0	④			2
13	JIAO Y CHN	④		④			1
14	ENKHBAATAR T MGL	0	3				3

Group-E		NAGAE K	LI YL	KIM B	GANTULGA E	Games	Points	Rank
15	NAGAE K JPN		④	④	④			1
16	LI YL CHN	1		④	④			2
17	KIM B KOR	3	3		④			3
18	GANTULGA E MGL	1	1	2				4

Group-F		UCHIRSAIKHAN B	SHI B	PAK KC	YU KW	Games	Points	Rank
19	UCHIRSAIKHAN B MGL		0	1	2			4
20	SHI B CHN	④		④	④			1
21	PAK KC PRK	④	1		0			3
22	YU KW TPE	④	2	④				2

Group-G		ALTANKHUYAG D	ZHOU M	RI CI	PARK S	Games	Points	Rank
23	ALTANKHUYAG D MGL		0	2	3			4
24	ZHOU M CHN	④		④	④			1
25	RI CI PRK	④	3		3			3
26	PARK S KOR	④	2	④				2

Group-H		HAN J	MASUDA K	YANG SF	Games	Points	Rank
27	HAN J KOR		④	④			1
28	MASUDA K JPN	2		④			2
29	YANG SF TPE	3	0				3



Women's Singles

Group-A			SUGIMOTO H	CHANG WH	ZHOU NX	Games	Points	Rank
1	SUGIMOTO H	JPN		④	④			1
2	CHANG WH	TPE	2		④			2
3	ZHOU NX	CHN	0	2				3

Group-B			KIM A	MORIHARA K	RI JA	MUNGUNTSETSEG A	Games	Points	Rank
4	KIM A	KOR		④	④	④			1
5	MORIHARA K	JPN	0		④	④			2
6	RI JA	PRK	0	0		0			4
7	MUNGUNTSETSEG A	MGL	1	2	④				3

Group-C			CHIANG WC	LEE S	YOKOYAMA H	ENKHAATAR S	Games	Points	Rank
8	CHIANG WC	TPE		④	1	④			2
9	LEE S	KOR	1		④	④			1
10	YOKOYAMA H	JPN	④	0		④			3
11	ENKHAATAR S	MGL	0	0	0				4

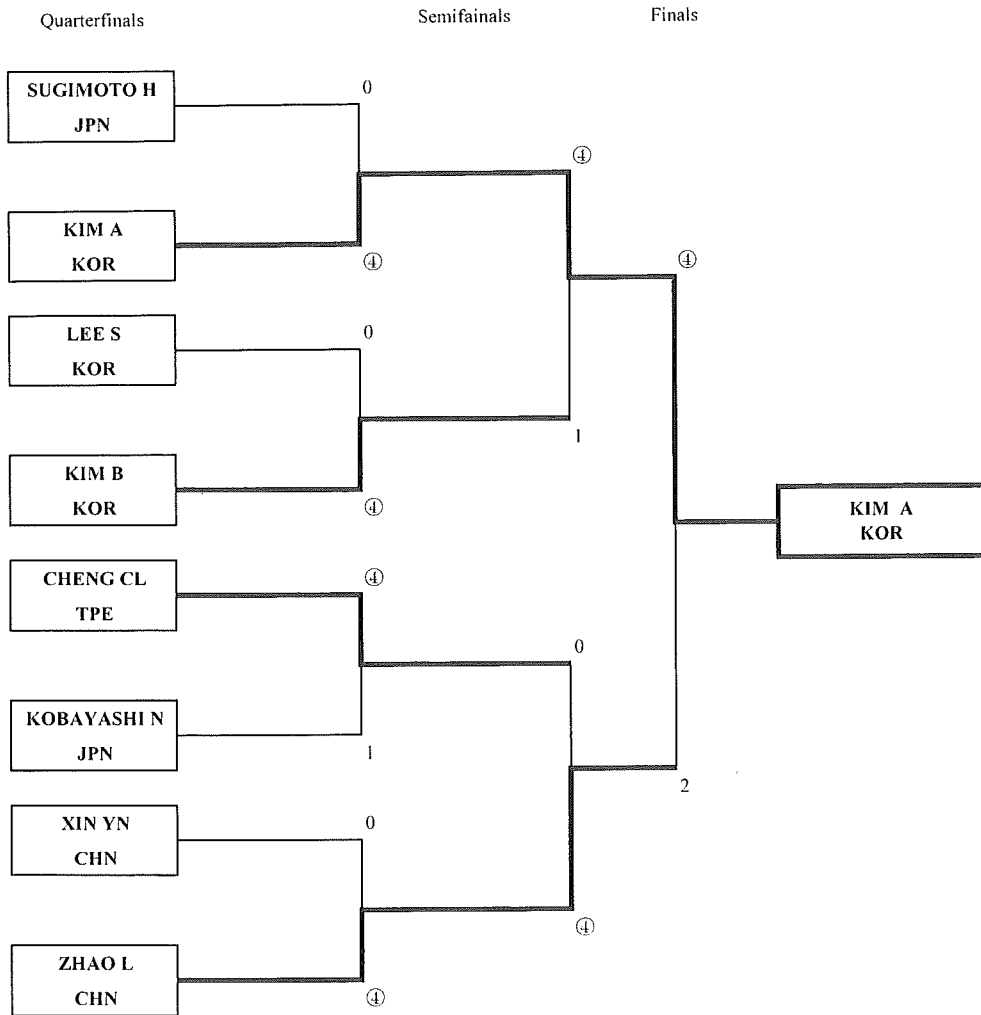
Group-D			KIM MH	KIM B	LI CY	FENG ZX	Games	Points	Rank
12	KIM MH	PRK		1	④	④			2
13	KIM B	KOR	④		④	④			1
14	LI CY	TPE	2	2		0			4
15	FENG ZX	CHN	2	2	④				3

Group-E			CHENG CL	JOO O	MIYASHITA A	Games	Points	Rank
16	CHENG CL	TPE		④	④			1
17	JOO O	KOR	1		1			3
18	MIYASHITA A	JPN	0	④				2

Group-F			KOBAYASHI N	CHEN YC	CHEN H	AMARSANAA M	Games	Points	Rank
19	KOBAYASHI N	JPN		④	④	④			1
20	CHEN YC	TPE	1		0	④			3
21	CHEN H	CHN	2	④		④			2
22	AMARSANAA M	MGL	0	1	0				4

Group-G			BULGAN N	YOON S	XIN YN	PAK JH	Games	Points	Rank
23	BULGAN N	MGL		0	1	1			4
24	YOON S	KOR	④		3	2			3
25	XIN YN	CHN	④	④		④			1
26	PAK JH	PRK	④	④	0				2

Group-H			JON MS	ZHAO L	SUGAR G	Games	Points	Rank
27	JON MS	PRK		1	④			2
28	ZHAO L	CHN	④		④			1
29	SUGAR G	MGL	0	0				3



Mix Doubles

	Group-A		JPN	KOR	TPE	Rank
1	NAGAE KOICHI KOBAYASHI NAO	JPN	/	⑤	⑤	1
2	KIM BEOMJUN KIM BOMI	KOR	4	/	⑤	2
3	YU KAI WEN LI CHIH YI	TPE	2	2	/	3

	Group-B		TPE	KOR	CHN	MGL	Rank
4	LIN YU TSE CHEN YI CHIA	TPE	/	1	⑤	⑤	2
5	HAN JAEWON LEE SEULLEE	KOR	⑤	/	⑤	⑤	1
6	ZHOU MO FENG ZIXUAN	CHN	1	0	/	⑤	3
7	GANTULGA ENKHTUV ENKHBAATAR SOLONGO	MGL	0	0	4	/	4

	Group-C		CHN	MGL	PRK	TPE	Rank
8	SHI BO ZHAO LEI	CHN	/	⑤	⑤	⑤	1
9	ENKHBAATAR TELMEN SUGAR GANCHIMEG	MGL	0	/	4	2	4
10	RI CHUNG IL RI JIN A	PRK	0	⑤	/	3	3
11	LIN YU TSE LI CHIH YI	TPE	3	⑤	⑤	/	2

	Group-D		PRK	MGL	CHN	JPN	Rank
12	JON MYONG SUK PAK KYONG CHOL	PRK	/	3	1	1	4
13	ALTANKHUYAG DAMDIN MUNGUNTSETSEG ANUDARI	MGL	⑤	/	1	0	3
14	JIAO YANG XIN YANI	CHN	⑤	⑤	/	0	2
15	MASUDA KENTO MIYASHITA AMI	JPN	⑤	⑤	⑤	/	1

	Group-E		TPE	CHN	MGL	Rank
16	LIN SHENG FA CHENG CHU LING	TPE		⑤	⑤	1
17	PAN YIFU CHEN HUI	CHN	3		⑤	2
18	BOLORTUYA ENKHJIN AMARSANAA MUNKHUCHRAL	MGL	1			3

	Group-F		TPE	KOR	CHN	JPN	Rank
19	YANG SHENG FA CHANG WEN HSIN	TPE		2	⑤	4	3
20	LEE SANGGWON JOO OG	KOR	⑤		⑤	⑤	1
21	LI YILONG ZHOU NIUXUAN	CHN	0	1		3	4
22	KOBAYASHI KOJI YOKOYAMA HARUKA	JPN	⑤	3	⑤		2

	Group-G		PRK	KOR	MGL	JPN	Rank
23	KIM SONG CHOL PAK JIN HYANG	PRK		2	3	1	4
24	KIM DONGHOON YOON SOOJUNG	KOR	⑤		⑤	1	2
25	UCHIRSAIKHAN BAYASGALANT BULGAN NOROVSUREN	MGL	⑤	1		0	3
26	SHIBATA SHOHEI SUGIMOTO HITOMI	JPN	⑤	⑤	⑤		1

	Group-H		KOR	PRK	JPN	Rank
27	KIM AEKYUNG PARKER SANG MIN	KOR		⑤	⑤	1
28	HAN SONG GUK KIM MI HYANG	PRK	0		2	2
29	SHINOHARA HIDENORI MORIHARA KANA	JPN	2	⑤		3

