

TEAM COMPETITIONS

MEN'S TEAM

A	A	1		2		3		NW	DWLM	DWLG	RANK	
		KOR		MDV		MGL						
1	KOR	/		③	⑤ - 0 ④ - 0 ⑤ - 1	③	⑤ - 2 ④ - 0 ⑤ - 0	2/2			1	
2	MDV			0	0 - ⑤ 0 - ④ 1 - ⑤	/		1	1 - ⑤ ④ - 1 2 - ⑤	0/2		3
3	MGL			0	2 - ⑤ 0 - ④ 0 - ⑤			②	⑤ - 1 1 - ④ ⑤ - 2	1/2		2

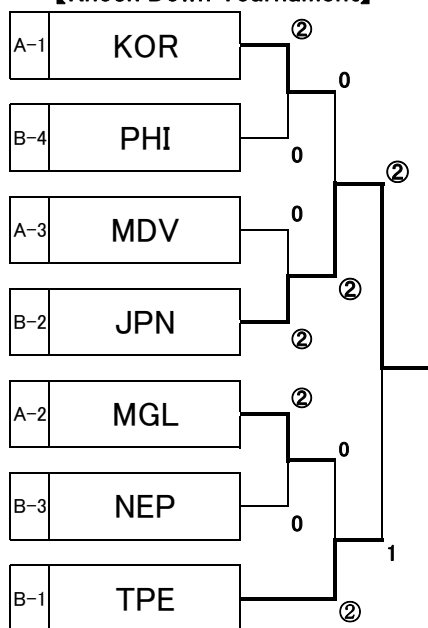
NW: Number of Won

DWLM: Difference between Won matches minus Lost Matches

DWLG: Difference between Won games minus Lost Games

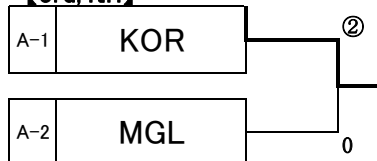
B	B	1		2		3		4		NW	DWLM	DWLG	RANK	
		JPN		NEP		PHI		TPE						
1	JPN	/		③	⑤ - 1 ④ - 0 ⑤ - 0	③	⑤ - 0 ④ - 0 ⑤ - R	1	4 - ⑤ 0 - ④ ⑤ - 4	2/3			2	
2	NEP			0	1 - ⑤ 0 - ④ 0 - ⑤	/		②	⑤ - 3 0 - ④ ⑤ - R	0	0 - ⑤ 0 - ④ 0 - ⑤	1/3		3
3	PHI			0	0 - ⑤ 0 - ④ R - ⑤			1	3 - ⑤ ④ - 0 R - ⑤	/		0	0 - ⑤ 0 - ④ R - ⑤	0/3
4	TPE	②	⑤ - 4 ④ - 0 4 - ⑤	③	⑤ - 0 ④ - 0 ⑤ - 0			③	⑤ - 0 ④ - 0 ⑤ - R			3/3		

【Knock Down Tournament】

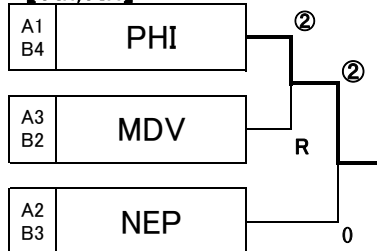


【Classification Matches】

【3rd,4th】



【5th,6th】



1st JPN

2nd TPE

3rd KOR

4th MGL

5th PHI

6th NEP